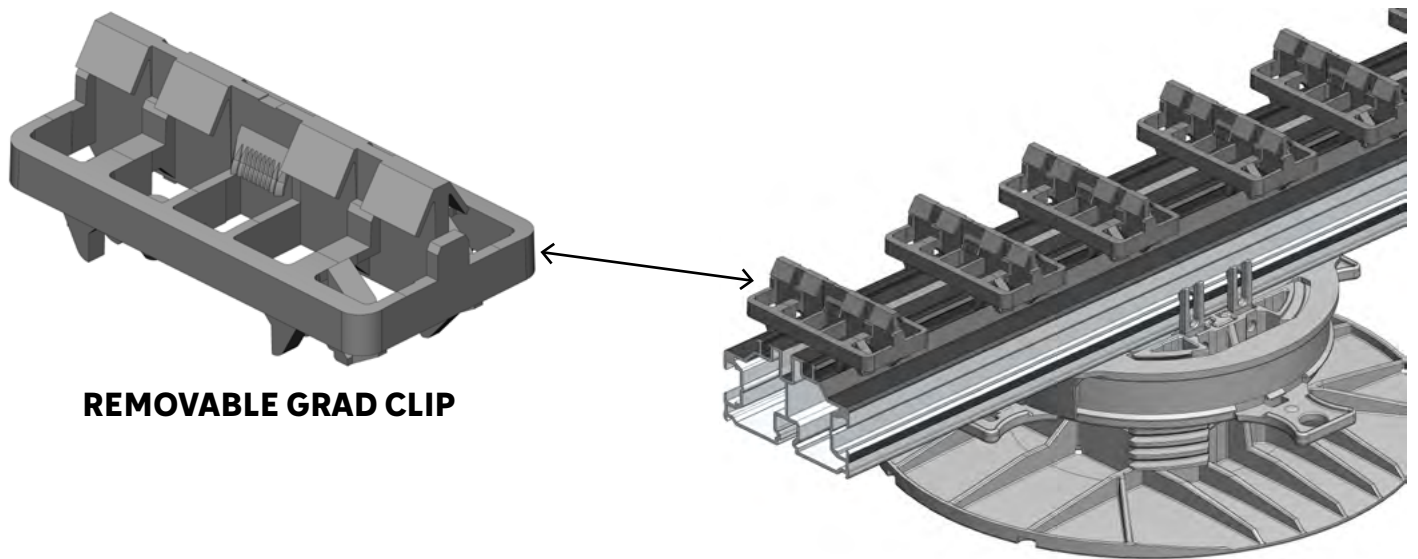


REMOVABLE GRAD CLIP

Utilisation : For securing decking and cladding boards



REMOVABLE GRAD CLIP

REMOVABLE GRAD CLIP

Material	Polyoxymethylene
Density (kg/m³)	1410
Colour	Black
Tensile stress at yield (MPa)	64
Fusion temperature °C	190-220
Tensile modulus (MPa)	2850
Coefficient of linear expansion (10⁻⁶/K)	110
Weight (g)	11.9

